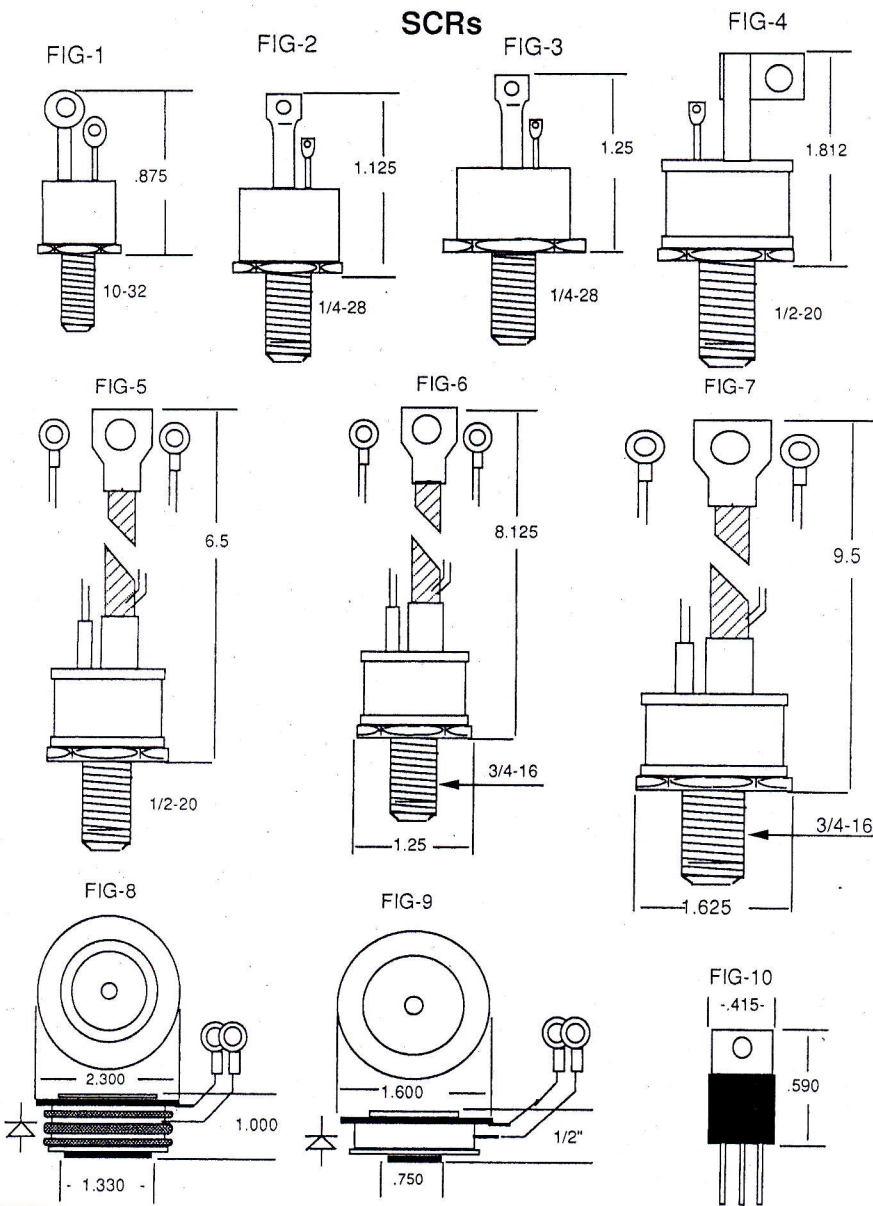


### SCRs



AMPS	VOLTS	PT NO	FIG#	STUD POLR	DESCRIPTION	STK NO
8.0	600	SCAG	1	NEG	GP	0020-035
10.0	1200	SCB	2	NEG	GP	0020-002
25.0	600	SCG	2	NEG	GP	0020-007
40.0	1200	SCD	3	NEG	GP	0020-004
40.0	600	SCJ	3	NEG	GP	0020-010
70.0	1200	SCC	5	NEG	GP	0020-003
70.0	600	SCL	5	NEG	GP	0020-012
70.0	1200	SCN	4	NEG	GP	0020-014
70.0	600	SCP	4	NEG	GP	0020-016
70.0	1200	SCAF	5	NEG	FS (DC SWTNG, INDC. HETNG.	0020-034
100.0	1200	SCE	6	NEG	GP	0020-005
100.0	600	SCAC	6	NEG	GP	0020-031
150.0	1200	SCF	6	NEG	GP	0020-006
150.0	600	SCK	6	NEG	GP	0020-011
150.0	200	SCO	6	NEG	FAST SWITCHING (FS)	0020-015
305.0	600	SCH	7	NEG	GP	0020-008
305.0	1200	SCI	7	NEG	GP	0020-009
380.0	1200	SCY	9		GP	0020-024
850.0	1200	SCAB	8		GP	0020-030
		SCZ			REPL/REL #410403-24AR	0020-025
		SCAA			REPL/REL #410403-5AB	0020-026

CALL US  
TO HELP YOU FIND THE CORRECT REPLACEMENT FROM STOCK